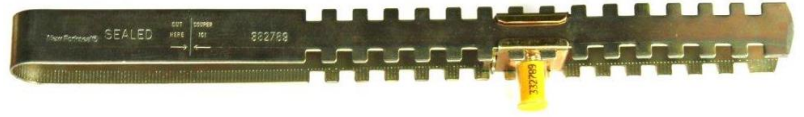


High Security Container Bolt Seal

Fork Seal



The Forkseal provides complete wrap-around protection of container locking bars of any size. The supplied seal plates and bolt seal can be fitted at an appropriate section of the fork. The seal provides not only tamper-resistance but also a high-level of physical strength - the strong steel can only be cut at the designated cutting point. The seal resists manipulation and substitution with numbering replicated on the pin and fork bar.



Technical Specifications

Material: Galvenised Steel

Tensile Strength: High

Dimensions: Assembled size 50x411x35mm

Customisation Options: Embossed numbering and text

Applications: Containers, railway cars, trailers, int'l freight

Industries

Airline

Petro Chemical

Logistics

Manufacturing

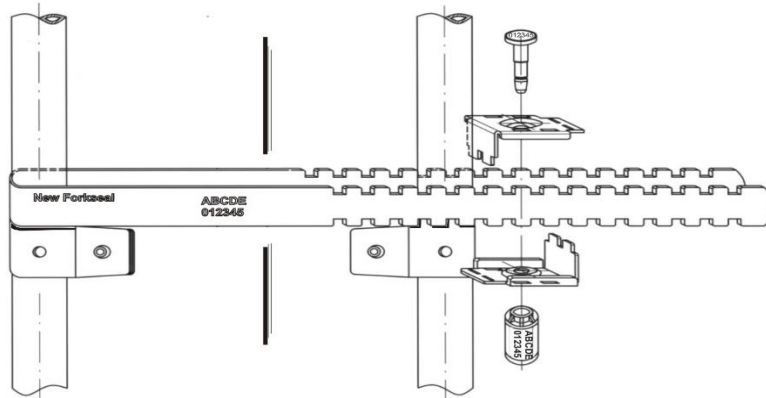
Packaging

Quantity: 25pcs

Weight: 15kg

Dimensions: 50x20x15cm

Application



Universal (UK) Ltd.

Unit 9 Portal Business Park, Eaton Lane, Tarporley, CW6 9DL
tel: 01829 760000 / e-mail: sales@universeal.co.uk