

# ILLUMINATION

## Perimeter Light



The Perimeter Enhancement Light can be used in a wide range of applications such as locker space illumination, walkways, pick-up vehicle beds and where white illumination is needed. Super-LED® lighthoods provide reliable, bright light which will stand up to harsh environments and vibration.



### KEY FEATURES:

- Downward projected, reliable, ground lighting for the perimeter of vehicles.
- Six diode Super-LED® module in a rugged polycarbonate housing; available in chrome or black.
- Steady-burn, white light is projected downward at a 40° angle to illuminate a large area.
- Mounts to vertical surfaces and may be mounted inverted.
- Supplied with 150mm pigtail connector, customer supplied switching required.
- Moulded rubber gasket protects body panels.
- Five-year HDP® Heavy-Duty Professional warranty.

### MODEL NUMBERS:

#### 12V:

- PELCC: Chrome Flange
- PELCB: Black Flange
- PELCW: White Flange
- PELCY: Ambulance Yellow Flange

#### 24V:

- PELCC4: Chrome Flange
- PELCY4: Ambulance Yellow Flange
- PELCB4: Black Flange
- PELCW4: White Flange

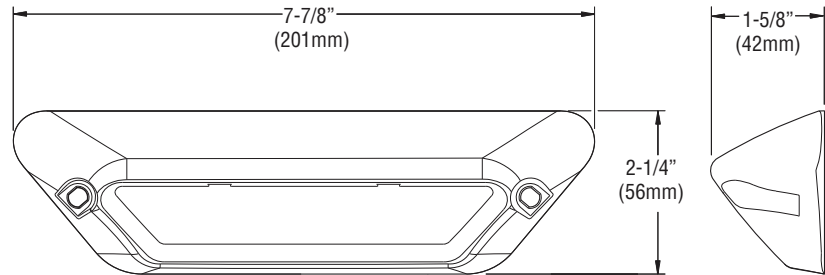


PELCB

### DIMENSIONS:



PELCC



## 3" Round

A versatile LED lighthouse ideal for compartment lighting, illumination for ladders, steps, lockers and wherever additional lighting is required but space is limited.



### KEY FEATURES:

- Three Super-LED® diodes in an aluminium housing, steady burn.
- Versatile 3" overall diameter and extremely narrow depth allow you to mount this bright light head where larger, bulky products would be a problem.
- Surface mounted for ease of installation and no body cutouts on vehicle. A small wire access hole (20mm) and two mounting holes are all that is required.
- Moisture and vibration resistant for reliable, long life service.
- LEDs are rated for 100,000 hours of operation.
- Draws 0.3 Amps at 12V.
- 275 lumens light output.
- Three white Super-LEDs® for compartment or step lighting.
- Three red Super-LEDs® are ideal for increased night vision in passenger compartments.

### DIMENSIONS:

3SRCCDCR

### MODEL NUMBERS:

#### Warning Lights:

**3S\*00F\*R:** Flashing (50 amps - 450 lumens)

Replace " \* " symbol in model number with letter indicating LED colour and Lens colour desired: A = Amber; B = Blue; R = Red;

#### Compartment Lights:

**3SC0CDCR:** White (36 Amps - 360 lumens)

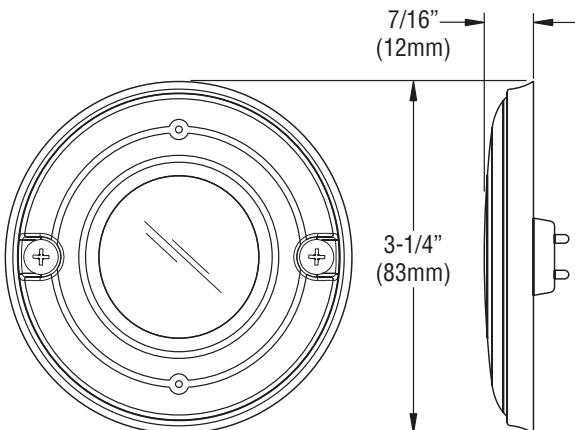
**3SRCCDCR:** Combination red/white (31 Amps - 140 lumens red, 250 lumens white)

**3SBCCDCR:** Combination blue/white (31 Amps - 250 lumens white, 65 lumens blue)

#### Options:

**3FLANGEC:** Flange kit, surface mount, chrome

**3GROMMET:** Grommet mounting kit



3SA00FAR



3SC0CDCR