

SHARPAK™

Infection control products

Sharpak 60 'plus' sharps container with **VisiLOCK™** PAT. PENDING

The SHARPAK 60 'PLUS' has been developed following many hours of customer and market research as well as over fifteen years experience gained in the market supplying infection control products to the healthcare sector.

The SHARPAK 60 'PLUS' is approved to the British Standard BS7320:1990 and tested and certified in accordance with the provisions of the United Nations recommendations on the Transportation of Dangerous Goods, Chapter 9, UN3291 Clinical Waste, Unspecified, NOS.

The SHARPAK 60 'PLUS' offers the following features:

MANUFACTURING AND TESTED TO BS7320:1990 & FRENCH STANDARD NF X 30-500

UN TESTED AND CERTIFIED

QUICK AND EASY TO ASSEMBLE

EASY TO OPERATE ROTATING OPEN/
CLOSE/LOCK CLOSURE

SECURE CLOSURE LOCK

FEATURING VISILOCK INDICATOR SYSTEM

DISTINCTIVE COLOURING AND CLEAR LABELLING

ONE PIECE BASE AND HANDLE MouldING

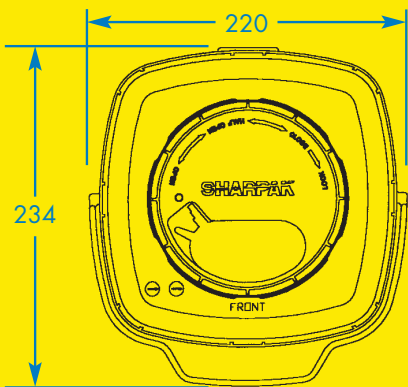
TOUGH AND DURABLE

COST EFFECTIVE

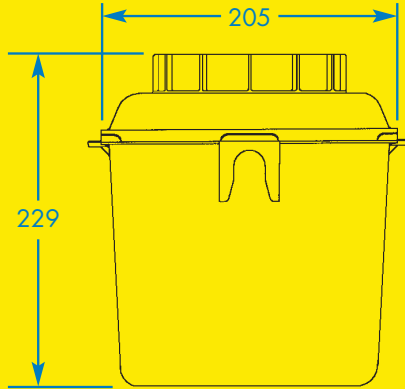
PURPOSE DESIGNED BRACKET FEATURE FOR SIMPLE
WALL AND TROLLEY MOUNTING

SHARPAK™ HEALTHCARE

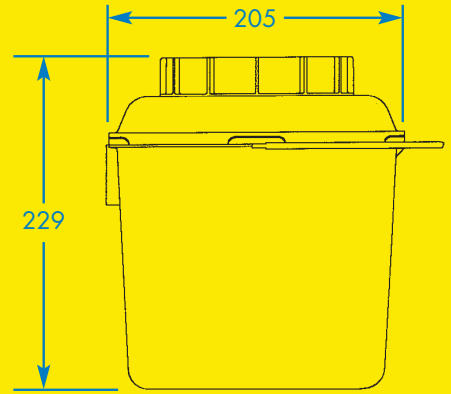




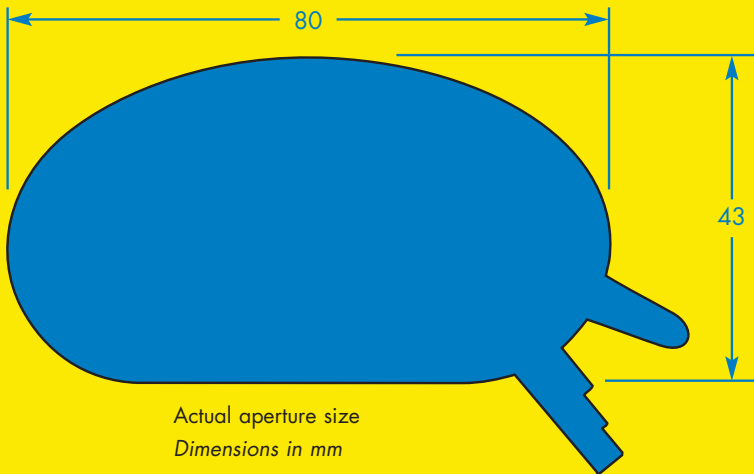
TOP VIEW



BACK VIEW



SIDE VIEW



SHARPAK® 60 'PLUS' INFORMATION

Height	229 mm
Width	205 mm
Aperture	80 x 43 mm
Max Capacity	6 litres
Capacity to fill line	4.5 litres
Sharpak 60 Plus case order no	SU02600
Quantity per case	25
Sharpak 60 Plus bussy order no	SU02700
Quantity per bussy	210



OPEN



1ST POSITION 'HALF OPEN'



2ND POSITION 'CLOSED'



3RD POSITION 'LOCKED'
WITH VISILOCK INDICATOR

Supplied by:

Patron Distributors Ltd
Unit 81, Baldoye Industrial Estate
Dublin 13. Ireland
Tel: +353 (0)1 8391299
Fax: +353 (0)1 8391026
Email: info@patron.ie
Web: www.patron.ie

